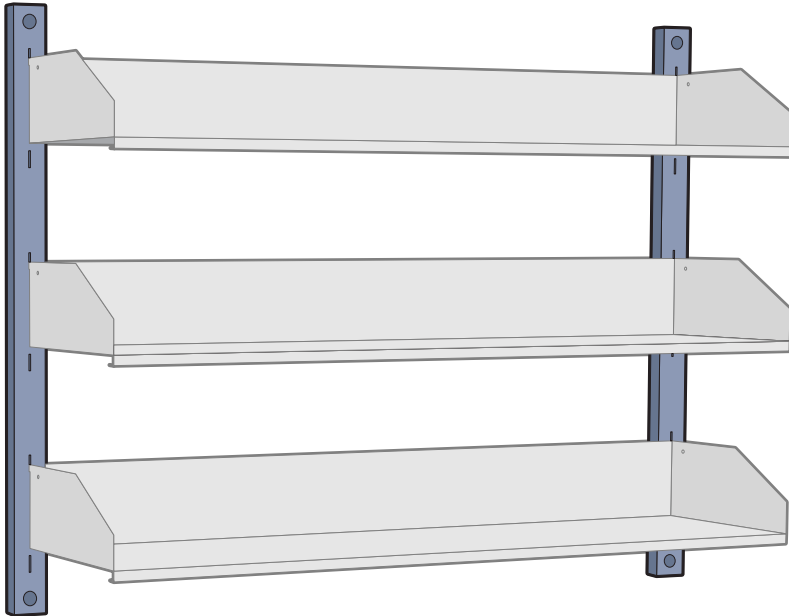


WALL STANDARDS

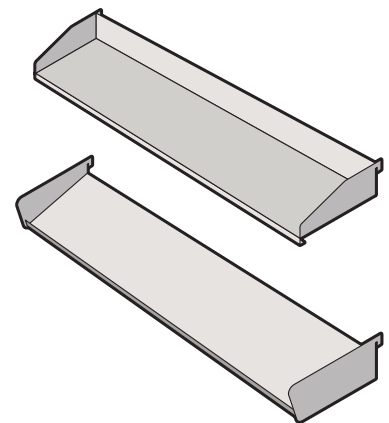


Standard horizontal steel shelves have a stiffener formed downward to create a fully flat surface. The stiffener can also be formed upward to create a front shelf retainer.

Wall Standards - Used for wall mounting our steel shelves.

Shown are two 36" high Wall Standards(WS-36-W) and three 48" wide shelves(IS-4812-H)

| Height | 18" | 24" | 30" | 36" | 48" | 72" |
|--------|-------------------------|-------------------------|-------------------------|-------------------------|-------------------------|-------------------------|
| Part # | WS-18-W | WS-24-W | WS-30-W | WS-36-W | WS-48-W | WS-72-W |



Single Shelves

| | 30" shelf (28" actual) | 36" wide (34" actual) | 42" wide (40" actual) | 48" wide (46" actual) |
|--------------------------------------|---------------------------|---------------------------|---------------------------|---------------------------|
| Standard horizontal shelf (12" deep) | IS-3012-H | IS-3612-H | IS-4212-H | IS-4812-H |
| Angled shelf (12" deep) | IS-3012-A | IS-3612-A | IS-4212-A | IS-4812-A |